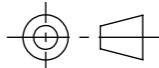



		DATE		TITLE:	
DRAWN	Dorus Bannenberg	25-6-2024		CRS3_500_1000_450_R	
REVISION				Drawing.	CRS3_500_1000_450_R
			Liessentstraat 4, 5405 AG Uden (NL). † 0031 (0)413 - 27 41 68. e info@furns.nl, i www.furns.nl		A3
Color:	-	Mass(kg): 37.48	SCALE:1:20	SHEET 1 OF 5	